



ARROW WALL LIGHT

The Arrow Wall Light effortlessly blends traditional styling with a high level of intricacy and detailing. The cross-arm design is perfectly symmetrical and will add elegance to any high-end interior. Finished in Old English Antique (pictured – other finishes available), the Arrow Wall Light features delicate grooves and a robust compact body which secures the arms in place, emphasising a lamp of real quality and craftsmanship.

Dimensions

Height: 434 mm

Width: 280 mm

Backplate diameter: 100 mm

Technical Details

Lamp Type 2 x UK E14, 2 x E14 EU, 2 x E12 US | 240v/110v | Mains dimmable

Finish Options All finishes available

Lamp Type Energy Saving Suitable for Incandescent or LED equivalent

Shade Options Clip shades only

Lead Time 4 - 6 weeks

Similar Lamp Options

Napier Wall Lamp

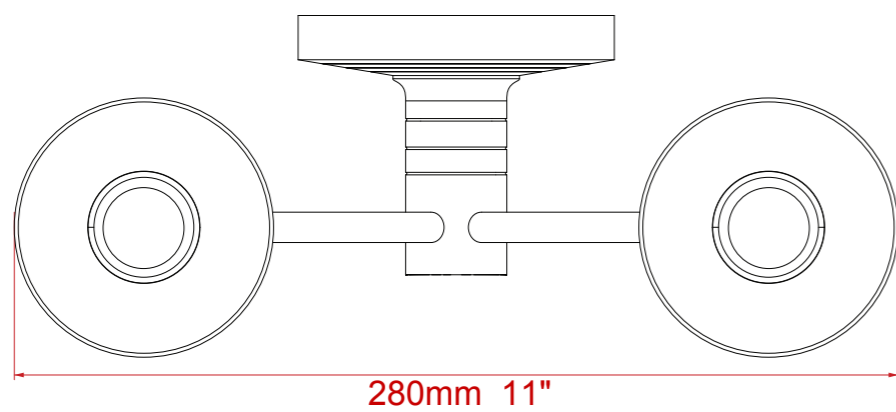
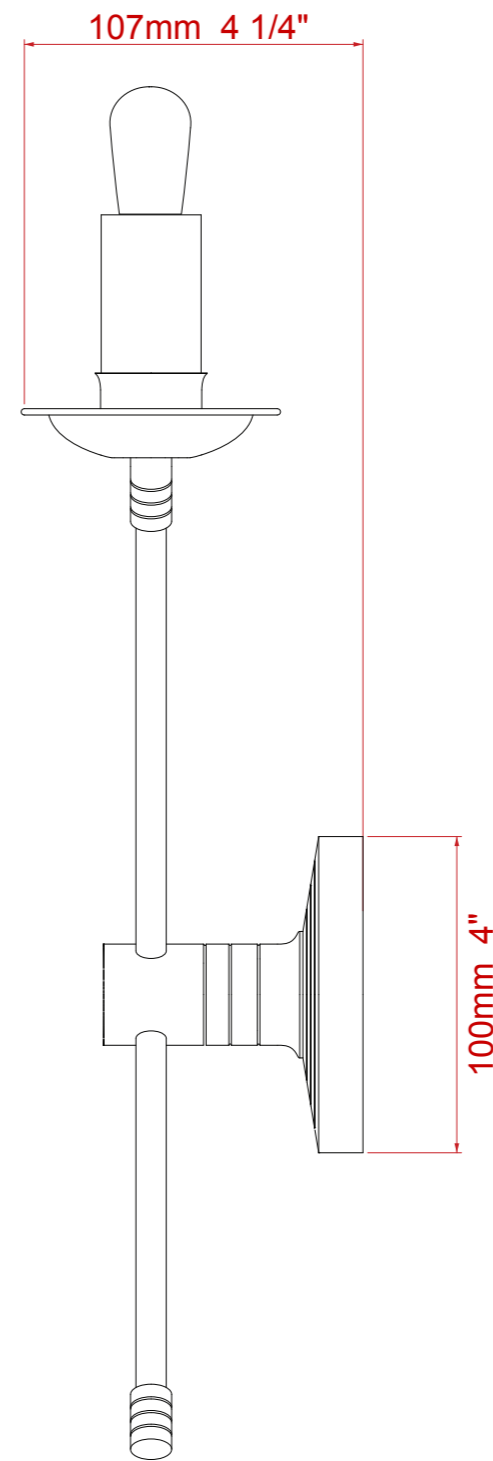
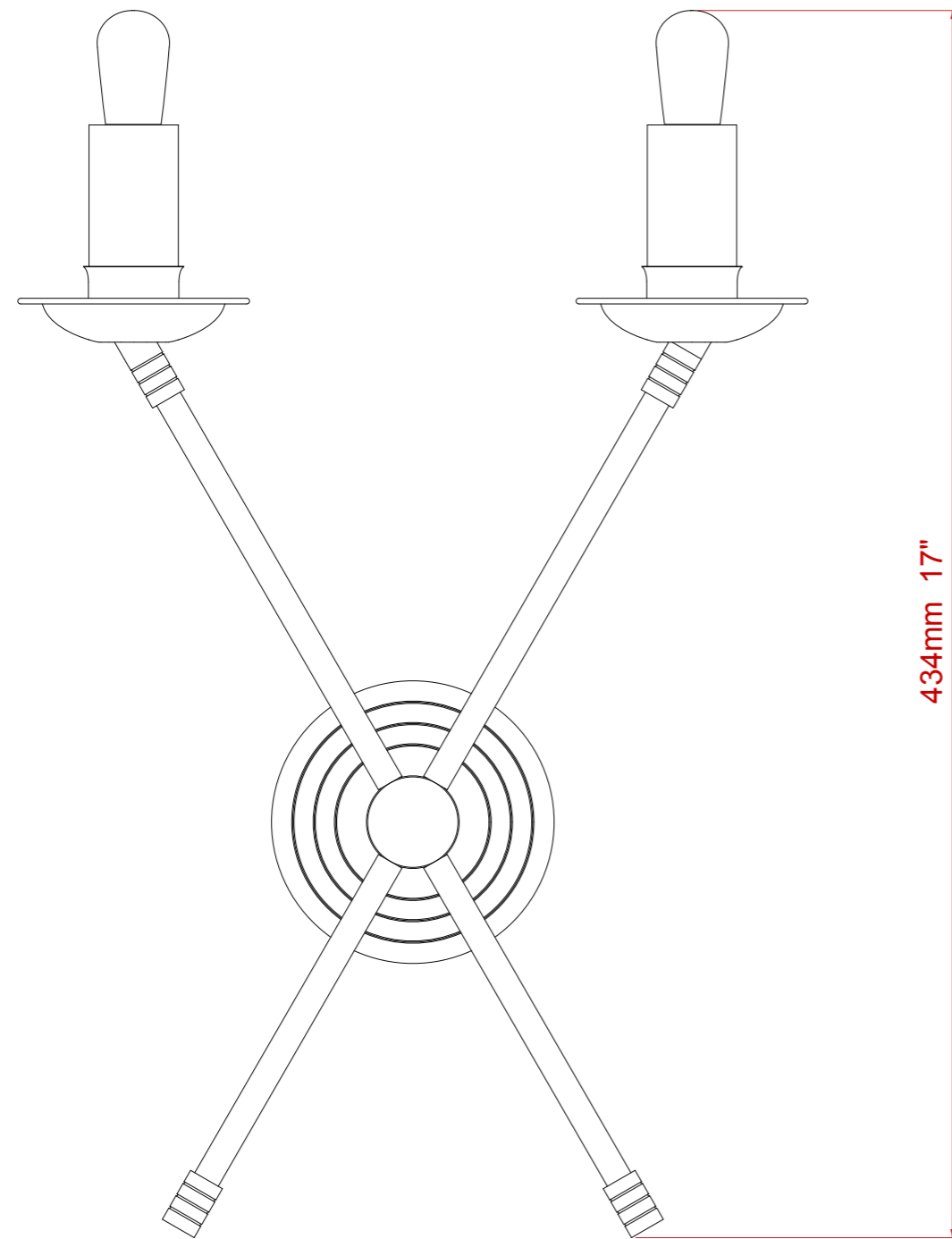


Cambridge Book Case Light



Marina Wall Light





Drawing Name:

Arrow Wall Light

Material: Brass