



NAPIER TABLE LAMP

A charming, robust and unassuming table lamp, the Napier Table Lamp features a solid brass body that flows elegantly into a tripod base. The solid brass body has an antique brass finish which adds to the true beauty of the lamp. The Napier Table Lamp compliments the floor lamp in the same range. Shown here with a classic fabric shade (not included, speak to us about sourcing a fabric shade) or a metal shade.

Dimensions

Height without shade: 410 mm

Height with shade: 538 mm

Base width: 222 mm

Technical Details

Lamp Type 1 x B22 UK, 1 x E27 EU, 1 x E26 US | 240v/110v

Finish Options All finishes available

Lamp Type Energy Saving Suitable for Incandescent or LED equivalent

Shade Options Metal or cloth

Lead Time 4 - 6 weeks

Similar Lamp Options

Regent Column Lamp

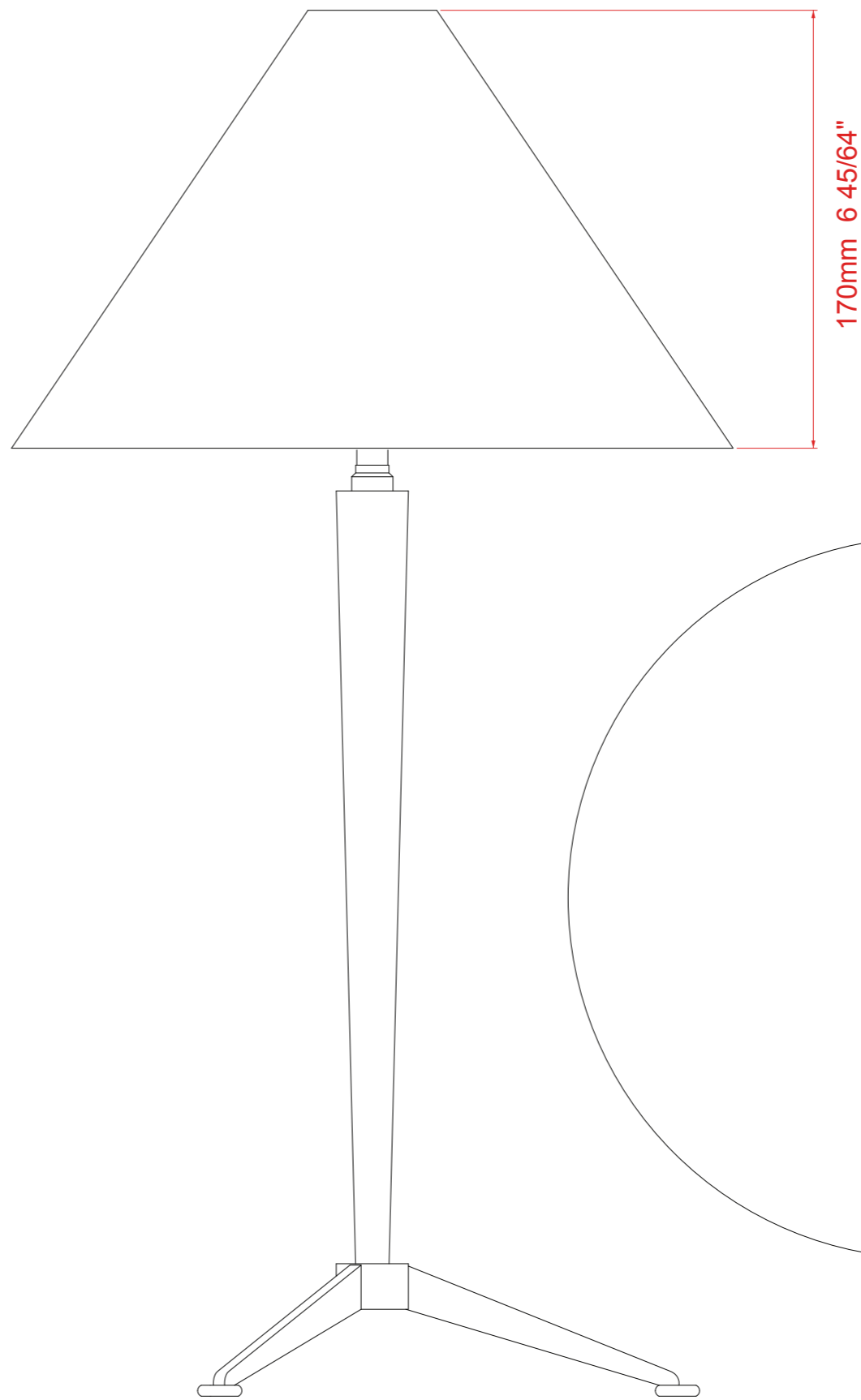
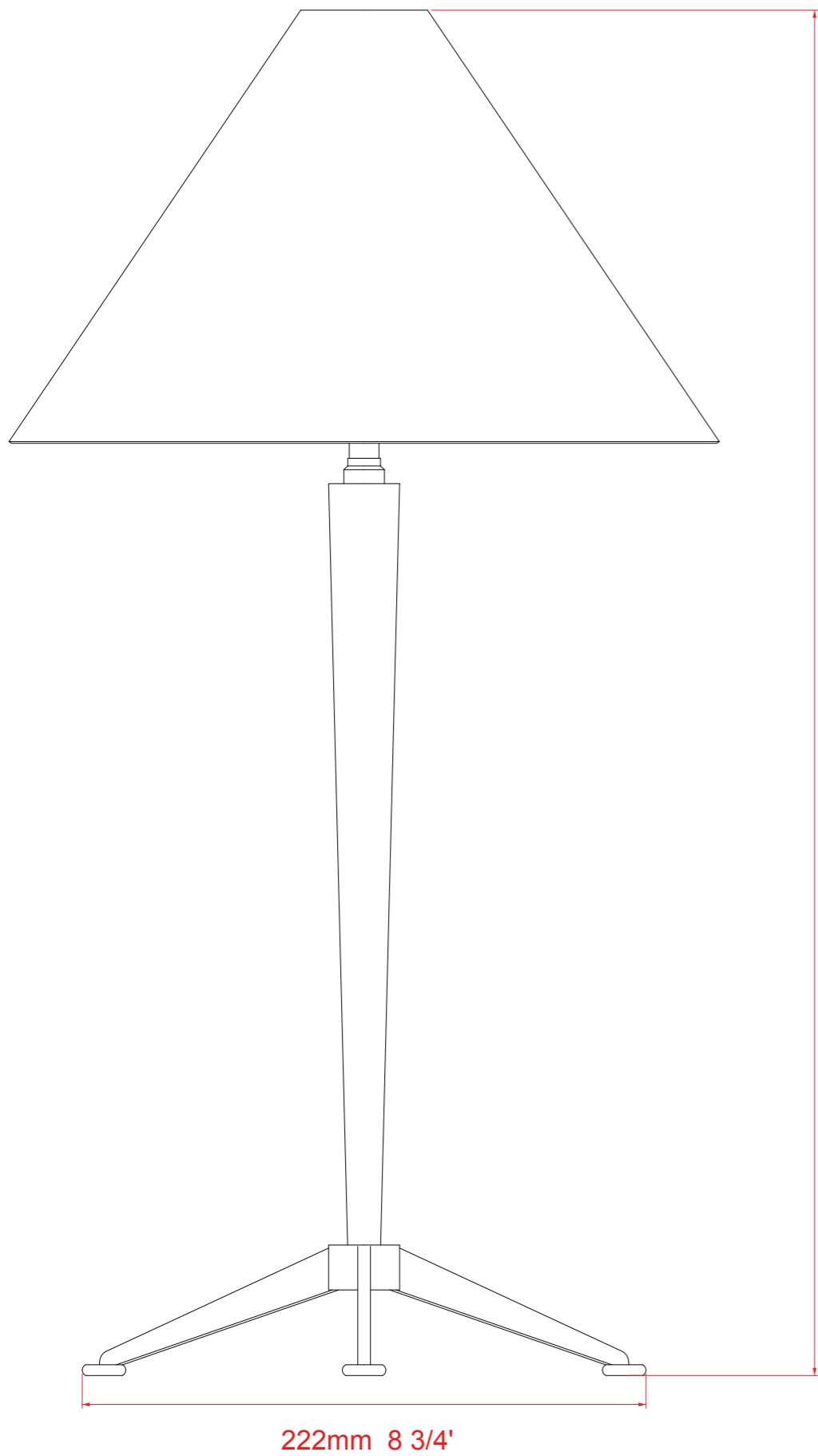


Elegance Table Lamp



Beaten Standard Lamp





Drawing Name:

Napier Table Lamp

Material: Brass